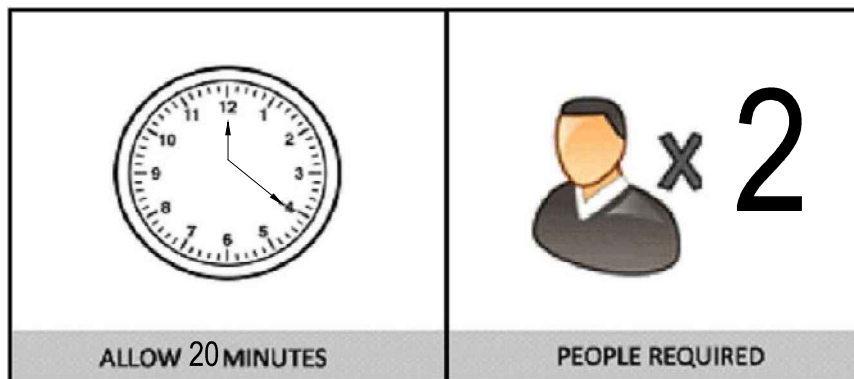


Imported by Amart Furniture Pty Ltd, Brisbane QLD, Australia.
For any assistance with assembly or for missing parts please phone
Amart Furniture, Customer Service Freecall 1800 351 084

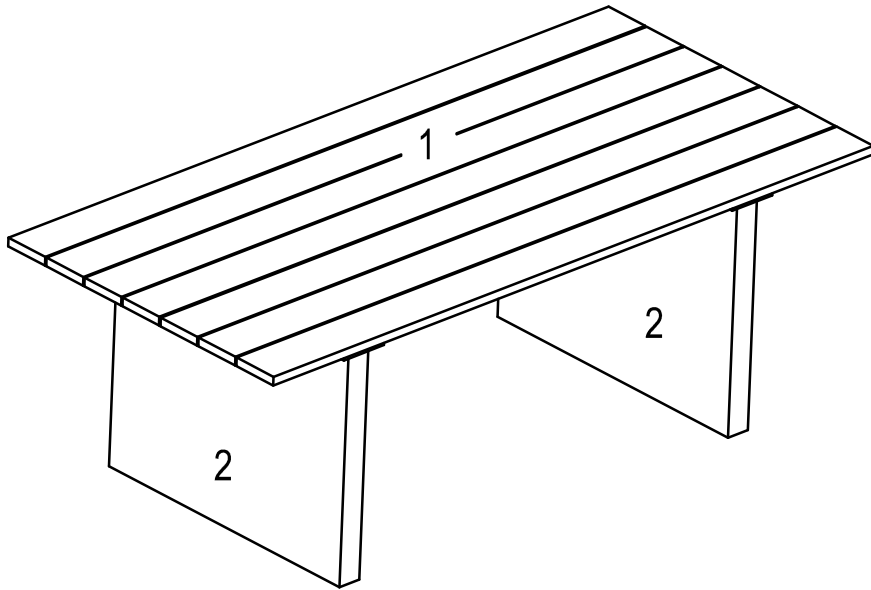
PRE-ASSEMBLY PREPARATION

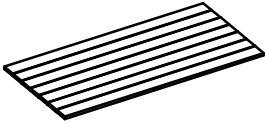
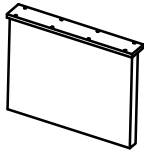
Before you start:


1. Choose a clean, level, spacious assembly area. Avoid hard surfaces that may damage the product.
2. Take care when lifting. Product should be assembled as near as possible to the point of use.
3. Ensure that you have all required contents for complete assembly.
4. Always read the assembly instructions carefully before beginning assembly.
5. Keep all hardware parts and packaging out of reach of small children.
6. Do not over tighten the screws and bolts as this may damage the threads.




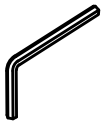
PARTS LIST



<p>1 Table Top  1PC</p>	<p>2 Legs  2PCS</p>
--	--

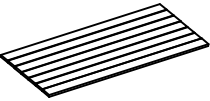
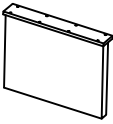


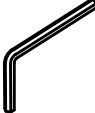
<p>A. Bolt  M6*40*16PCS</p>
--

<p>B. Washer  M6*16PCS</p>

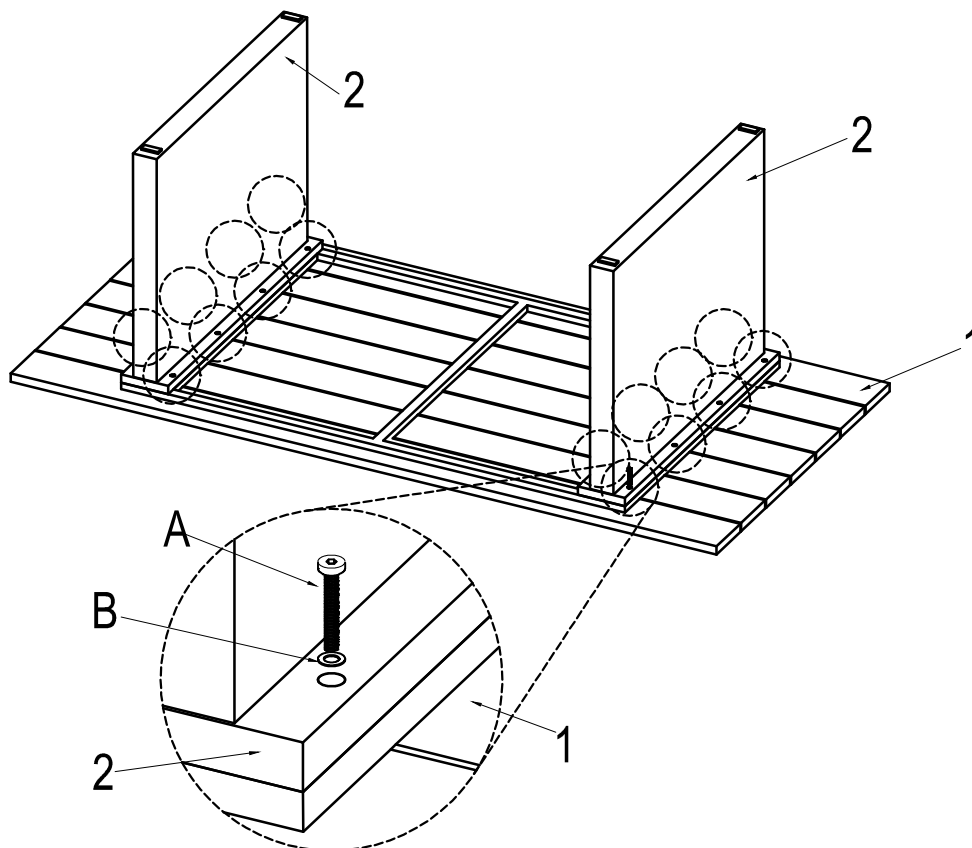
<p>C. Allen Key  M6*1PC</p>
--

Step 1:

ITEMS REQUIRED

1. Table Top 1PC 	2. Legs 2PCS 	
A. Bolt  M6*40*16PCS	B. Washer  M6*16PCS	C. Allen Key  M6*1PC

- Attach legs (2) to table top (1) using bolt (A) with washer (B).
- Insert all bolts before fully tightening .
- Tighten with allen key (C) .



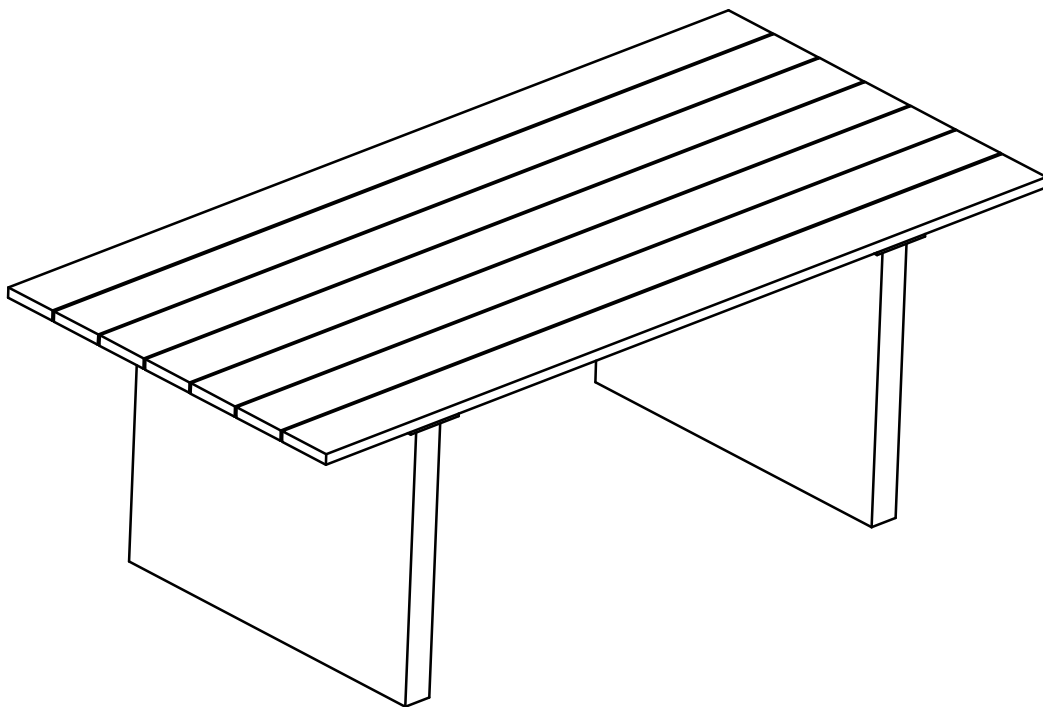
IMPORTANT NOTE:
ALWAYS USE TWO PEOPLE WHEN TURNING THE TABLE OVER

ASSEMBLY IS COMPLETE

CAUTION:

ALWAYS LIFT YOUR PRODUCT WHEN MOVING/RELOCATING.

DO NOT DRAG. DRAGGING CAN CAUSE DAMAGE TO THE LEGS



Care and maintenance

Aluminium

To ensure the longevity and maintain the appearance of your aluminium outdoor furniture, please follow these care instructions:

1.Usage and Storage:

This item is designed for outdoor use, but, like all man-made materials, it can suffer damage if left exposed to the elements. To extend its life, avoid prolonged exposure to weather conditions. Store the furniture indoors or under cover when not in use or use an outdoor cover (do not store on grass).

2.Avoid Excess Moisture:

DO NOT allow the furniture to remain wet or sit in standing water for long periods. Wipe the furniture dry immediately if it becomes wet. Excess moisture can cause corrosion.

3.Avoid exposure to chlorine & salt water:

Chlorine/salt can disrupt the protective oxide layer on aluminium, leading to accelerated corrosion. This is particularly problematic in environments with high chlorine concentrations, such as in swimming pools, homes within a short distance of the ocean or areas with heavy chlorination.

4.Cleaning:

Clean your furniture with care. Avoid using harsh solvents, abrasives, or chemicals. To remove dirt and grime, rinse with fresh water and dry thoroughly. For a deeper clean, use a sponge and a mild detergent solution as needed. Abrasive cleaners will scratch/damage the surface.

Live by the beach? Due to a process called "aerosolization", sea water is broken up into tiny droplets by the wind and waves and salt particles are released into the air. This process accelerates the corrosion of metal surfaces over time. It is essential to use furniture covers when the product is not in use and clean your product more frequently.

By following these simple steps, you will help keep your furniture in great condition and ensure it remains a beautiful and functional part of your outdoor space.